

VRF Systems

HIGH EFFICIENCY SERIES

AMAZON STANDARD SERIES

INDOOR UNIT TYPES

VRF System High Efficiency

YV2VYH 025 to 204

Cooling capacities 25.4 kW to 211.2 kW



VRF System

- Capacities from 25.4 to 211.2 kW
- Operating range of nominal power (10% - 130 %)
- DC Inverter Scroll Compressor
- Low noise levels
- High Efficiency. EER up to 4.29
- Modular design
- Long piping design up to 1000 m
- Big height difference design: 90 m
- Height difference between indoors: 18 m
- Large indoor unit combinations
- Flexible and quickly installation

Comfort – Quality

- Cooling and heating
- Connection up to 64 indoor units per refrigeration circuit (3 outdoor units)
- Complete range in R410A
- Reduced footprint
- Is appropriate particularly for existing buildings
- Cooling to -5°C to +43°C (outdoor temperature)
- Heating to -15°C to +24°C (outdoor temperature)



YV2VYH Technical features - Single module outdoor unit

Model	YV2VYH025	YV2VYH028	YV2VYH033	YV2VYH040	YV2VYH045	YV2VYH050	YV2VYH056	YV2VYH061	YV2VYH068	
Cooling capacity	kW	25.4	28.9	34.8	41.5	46.4	51.5	57.8	63.7	70.4
EER		4.29	4.00	3.90	3.55	3.47	3.42	3.34	3.18	3.09
Heating capacity	kW	28.1	32.4	37.9	45.8	51.1	57.2	63.7	70.1	73.9
COP		4.30	4.19	3.71	3.84	3.82	3.74	3.75	3.73	3.83
Air flow in cooling	m³/h	15 000	15 000	15 000	15 000	15 600	16 200	16 200	16 200	16 200
Sound Pressure Level at 1 m	dB(A)	57	57	59	59,5	61	62	62	62	63
Electrical features										
Power supply		380V-3-50/60Hz								
Power input "cooling"	kW	5.87	7.00	8.60	11.27	12.97	14.73	16.79	19.37	21.98
Power input "heating"	kW	6.28	7.52	10.12	11.73	13.10	15.12	16.79	18.48	19.08
Compressor	Type	DC Inverter Scroll				2 x DC Inverter Scroll				
Dimensions and Weight										
Height x Width x Length	mm	1690x1350x720	1690x1350x720	1690x1350x720	1690x1350x720	1690x1350x720	2048x1350x720	2048x1350x720	2048x1350x720	2048x1350x720
Weight	kg	278	278	278	282	324	343	343	369	369
Piping connections										
Gas		1"	1"	1"	1" 1/4"	1" 1/4"	1" 1/4"	1" 1/4"	1" 1/4"	1" 1/4"
Liquid		1/2"	1/2"	1/2"	1/2"	1/2"	1/2"	1/2"	1/2"	1/2"
Refrigerant charge	Type	R410A								
	kg	10	10	10	10	10	10	10	10	10
Piping length / Height difference										
Max. piping length farthest indoor unit (m)		190								
Max. height difference indoor/outdoor (m)		50								
Max. number of indoor units		13	16	20	24	27	30	33	36	40

Models available to be confirmed as soon as they are launched (estimated Mar'15)

Combination of modular outdoor units

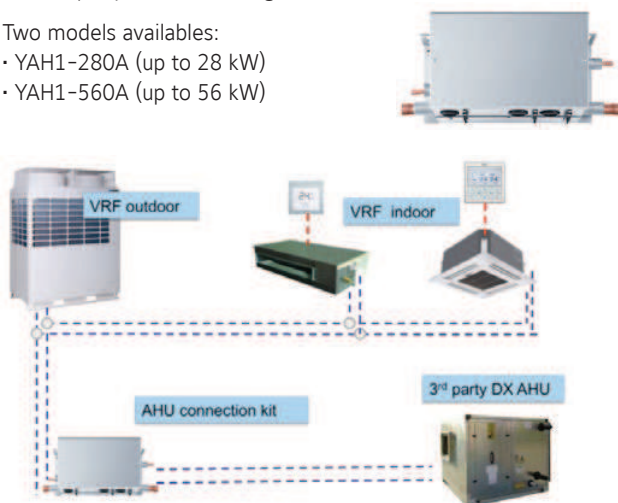
Model	074	080	085	090	095	101	106	112	118	124	130	136	141	146	151	157	162	168	174	180	186	192	198	204	
Capacity																									
Cooling kW	76.3	83.0	87.9	93.0	97.9	104.2	109.3	115.6	121.5	128.2	140.0	140.8	144.5	150.6	155.7	162.0	167.1	173.4	179.3	186.0	191.9	198.6	204.5	211.2	
Heating kW	83.7	91.6	96.9	103.0	108.3	114.8	120.9	127.4	133.8	137.6	144.0	147.8	160.2	165.9	172.0	178.5	184.6	191.1	197.5	201.3	207.7	211.5	217.9	221.7	
Maximum indoor units	43	46	50	53	57	60	64	64	64	64	64	64	64	64	64	64	64	64	64	64	64	64	64	64	
Appearance																									

DX-Kit Available for all type of 2-pipe outdoor units

York offers a range of connection kit to connect VRF outdoor units to third party DX air handling units.

Two models availables:

- YAH1-280A (up to 28 kW)
- YAH1-560A (up to 56 kW)



YCZ-G001 Central Controller

Available for all type of outdoor units

- Max. 32 indoor units control.
- Max. 32 outdoor units control.
- On/Off, Mode, Fan speed, Temperature setting, Swing.
- Individual control, Group control & Central control (Max. 32 indoor units)
- Color interface with back light
- Large touch key
- Fahrenheit/Celsius selectable
- Weekly timer
- Unit name & Group name free setting. Four background available (mall, hotel, office, home)
- Error display
- Together with one IGU05 per outdoor unit



Manufacturer reserves the rights to change specifications without prior notice.

Amazon Standard Ambient VRF System

YV2V 010 to 135

Cooling capacities 9 kW to 135 kW



VRF System

- Capacities from 9 to 135 kW
- Operating range of nominal power (10% - 130 %)
- DC Inverter Scroll Compressor
- Low noise levels
- High Efficiency. EER up to 4.28
- Modular design
- Large indoor unit combinations
- Flexible and quickly installation

Comfort – Quality

- Cooling and heating
- Connection up to 64 indoor units per refrigeration circuit (3 outdoor units)
- Complete range in R410A
- Reduced space of ground
- Is appropriate particularly for existing buildings
- Cooling to -5°C to +43°C (outdoor temperature)
- Heating to -15°C to +24°C (outdoor temperature)



YV2V Technical features - Mini-VRF outdoor unit

Model		YV2VYH010KAR	YV2VYH015KAR	YV2VYH015KAS	YV2VYH018KAS
Cooling capacity	kW	9.0	15.0	15.0	18.0
EER		2.98	3.33	3.06	2.84
Heating capacity	kW	11.0	17.0	17.0	20.0
COP		4.20	3.78	3.95	3.37
Air flow	m ³ /h	3 500	6 500	6 500	6 500
Sound Pressure Level at 1 m	dB(A)	58	59	59	60
Electrical features					
Power supply		1/N/ 230V 50Hz		3/N/ 400V 50Hz	
Power input "cooling"	kW	3.02	4.50	4.90	6.33
Power input "heating"	kW	2.62	4.50	4.30	5.93
Compressor	Type	Rotary	Rotary	Rotary	Rotary
Dimensions and Weight					
Height x Width x Length	mm	830 x 960 x 380	1 250 x 960 x 380	1 250 x 960 x 380	1 250 x 960 x 380
Weight	kg	74	120	120	120
Piping connections					
Gas		5/8"	3/4"	3/4"	3/4"
Liquid		3/8"	3/8"	3/8"	3/8"
Refrigerant charge	Type	R410A			
	kg	2.6	3.6	4	4
Piping length / Height difference					
Max. piping length	m	50	100	100	100
Max. height difference	m	30	30	30	30
Max. number of indoor units		4	8	8	9

YV2V Technical features - Single module outdoor unit

Model		YV2VYH022KAS	YV2VYH028KAS	YV2VYH033KAS	YV2VYH040KAS	YV2VYH045KAS
Cooling capacity	kW	22.6	28.0	33.5	40.0	45.0
EER		4.28	3.80	3.35	3.51	3.36
Heating capacity	kW	25.0	31.5	37.5	45.0	50.0
COP		4.24	3.95	3.75	3.88	3.70
Air flow	m ³ /h	11.100	11.100	14.100	14.100	14.100
Sound Pressure Level at 1 m	dB(A)	57	57	60	60	60
Electrical features						
Power supply		3/N/ 400V 50Hz				
Power input "cooling"	kW	5.27	7.36	10.00	11.40	13.40
Power input "heating"	kW	5.89	7.97	10.00	11.60	13.50
Compressor	Type	DC Inverter Scroll		DC Inverter Scroll + Standard Scroll		
Dimensions and Weight						
Height x Width x Length	mm	1 808 x 990 x 750	1 808 x 990 x 751	1 808 x 1 390 x 750	1 808 x 1 390 x 751	1 808 x 1 390 x 752
Weight	kg	240	240	360	360	368
Piping connections						
Gas		3/4"	7/8"	1"	1"	1 1/8"
Liquid		3/8"	3/8"	1/2"	1/2"	1/2"
Refrigerant charge	Type	R410A				
	kg	10	10	10	10	10
Piping length / Height difference						
Max. piping length farthest indoor unit (m)		175				
Max. height difference indoor/outdoor (m)		50				
Max. number of indoor units		13	16	19	23	26

Combination of modular outdoor units

Model	050	056	061	068	073	078	085	090	096	101	106	113	118	123	130	135
Capacity Cooling kW	50.6	56.0	61.5	68.0	73.0	78.5	85.0	90.0	96.0	101.0	106.5	113.0	118.0	123.5	130.0	135.0
Capacity Heating kW	56.5	63.0	69.0	76.5	81.5	90.0	95.0	100.0	108.0	113.0	121.5	126.5	131.5	137.5	145.0	150.0
Maximum indoor units	29	33	36	39	43	46	50	53	56	59	63	64	64	64	64	64



CE Manufacturer reserves the rights to change specifications without prior notice.

VRF Heat recovery system

YV2V 024 to 045



YV2V 3 Pipes Technical features - Single module outdoor unit

Model		YV2VYT024KAS-D-X	YV2VYT029KAS	YV2VYT035KAS	YV2VYT042KAS	YV2VYT045KAS
Cooling capacity	kW	23.9	29.3	35.1	41.7	45.0
EER		4.02	3.84	3.82	3.42	3.23
Heating capacity	kW	26.5	32.8	39.2	46.8	50.7
COP		4.3	4.1	4.2	4.1	3.8
Air flow	m ³ /h	11.100	11.100	14.100	14.100	14.100
Sound Pressure Level at 1 m	dB(A)	57	57	60	60	60
Electrical features						
Power supply		3/N/ 400V 50Hz				
Power input "cooling"	kW	6.0	7.6	9.2	12.2	14.0
Power input "heating"	kW	6.2	8.0	9.2	11.4	13.4
Compressor	Type	DC Inverter Scroll		DC Inverter Scroll + Standard Scroll		
Dimensions and Weight						
Height x Width x Length	mm	1 808 x 990 x 750	1 808 x 990 x 750	1 808 x 1 390 x 750	1 808 x 1 390 x 750	1 808 x 1 390 x 750
Weight	kg	240	240	368	368	368
Piping connections						
Gas		3/4" / 3/4"	7/8" / 3/4"	1" / 7/8"	1" / 7/8"	1 1/8" / 1"
Liquid		3/8"	3/8"	1/2"	1/2"	1/2"
Refrigerant charge	Type	R410A				
	kg	10	10	10	10	10
Piping length / Height difference						
Max. piping length farthest indoor unit (m)		175				
Max. height difference indoor/outdoor (m)		50				
Max. number of indoor units		13	16	19	23	26

Combination of modular outdoor units

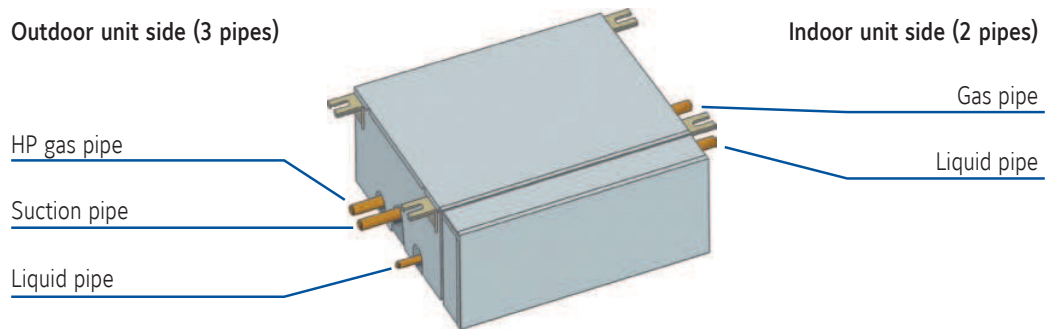
HP	8	10	12	15	16	18	20	22	24	26	28	30	32	34	36	38	40	42	44	46	48	
Capacity																						
Coolin kW	23.9	29.3	35.1	41.7	45.0	53.2	58.6	64.4	71.0	74.3	83.4	86.7	90.0	100.3	103.6	112.7	116.0	119.3	125.1	131.7	135.0	
Heating kW	26.5	32.8	39.2	46.8	50.7	59.3	65.6	72.0	79.6	83.5	93.6	97.5	101.4	112.4	116.3	126.4	130.3	134.2	140.6	148.2	152.1	
Maximum indoor units	13	16	19	23	26	29	33	36	39	43	46	50	53	56	59	63	64	64	64	64	64	
Appearance																						

Technical features - Heat recovery valve box

Model		VB1-112A	VB1-180A	VB1-280A
Capacity				
Power supply		3/N/ 400V 50Hz		
Total Capacity Index of Indoor Units	kW	≤ 11.2	> 11.2 & ≤ 18.0	> 18.0 & ≤ 28.0
Number of Connectable Indoor Units		Max. 5	Max. 8	Max. 8
Piping connection				
Liquid pipe - Connect to indoor unit	mm	3/8"	3/8"	3/8"
Gas pipe -Connect to indoor unit	mm	5/8"	5/8"	7/8"
Liquid pipe-Connect to outdoor unit	mm	3/8"	3/8"	3/8"
Suction pipe-Connect to outdoor unit	mm	5/8"	5/8"	1"
High pressure gas pipe-Connect to outdoor unit	mm	1/2"	5/8"	3/4"
Dimensions & Weight				
Height x Width x Length	mm	180 x 400 x 300		180 x 400 x 300
Weight	kg	12		13

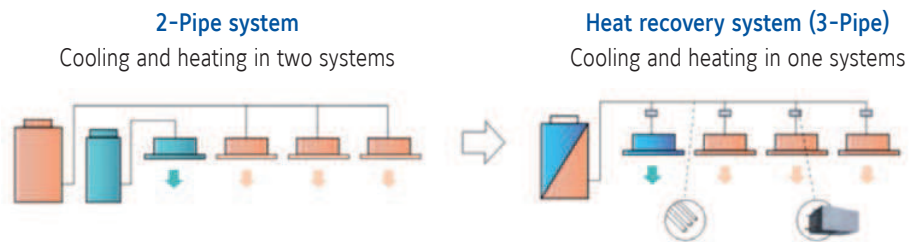
VRF Heat recovery system

Heat recovery valve box scheme



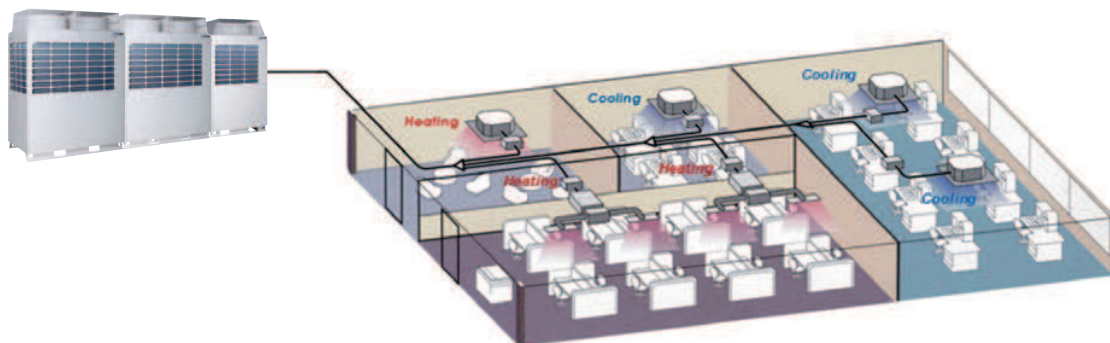
Cooling and heating synchronously in one system

Heat recovery system can achieve cooling and heating synchronously in one system by valve box device.



Heat Recovery, More Energy-saving

The surplus heat of some indoor units' condensation can be used for other indoor units for evaporation. Comparing with traditional Air Conditioning system, save at least 15% energy.



CE Manufacturer reserves the rights to change specifications without prior notice.

VRF Technical features indoor units

High wall (EXV integrated)



Model		YVHVXH022	YVHVXH028	YVHVXH036	YVHVXH045	YVHVXH056	YVHVXH071	
Capacity	Cooling kW	2.2	2.8	3.6	4.5	5.6	7.1	
	Heating kW	2.5	3.2	4.0	5.0	6.3	8.0	
	Air flow m ³ /h	600					800	
Noise level at 1 m	H / M / L dB(A)	37 / 33 / 31	37 / 34 / 31	41 / 36 / 33	41 / 36 / 33	43 / 39 / 34	48 / 39 / 37	
Electrical features	Power supply V/Ph/Hz	230 / 1 / 50 + N + E						
	Current A	0.31					0.41	
Dimensions and Weight	H x W x D mm	265 x 938 x 187					299 x 1 046 x 239	
	Weight kg	10.9					13	
Piping	Gas	1/2"					5/8"	
	Liquid	1/4"					3/8"	

Cassette



Model		YVKVXH028	YVKVXH036	YVKVXH045	YVKVXH056	YVKVXH071	YVKVXH080	YVKVXH090	YVKVXH112	YVKVXH140	
Capacity	Cooling kW	2.8	3.6	4.5	5.6	7.1	8.0	9.0	11.2	14.0	
	Heating kW	3.2	4.0	5.0	6.3	8.0	9.0	10.0	12.5	16.0	
	Air flow m ³ /h	700	650		1 200			1 800			
Noise level at 1 m	H / M / L dB(A)	32 / 30 / 29	32 / 30 / 29	33 / 30 / 29	34 / 32 / 30	35 / 34 / 31	37 / 35 / 31	37 / 35 / 31	37 / 35 / 31	44 / 40 / 36	
Electrical features	Power supply V/Ph/Hz	230 / 1 / 50 + N + E									
	Current A	0.47			0.67			0.76			
Dimensions and Weight	H x W x D mm	260 x 570 x 570			240 x 840 x 840			295 x 840 x 840			
	Weight kg	17			30			38			
Panel	H x W x D mm	60 x 700 x 700			80 x 950 x 950						
	Weight kg	2.8			6						
Piping	Gas	3/8"	1/2"			5/8"					
	Liquid	1/4"	1/4"			3/8"					

Convertible console floor/ceiling



Model		YVFXVXH028	YVFXVXH036	YVFXVXH045	YVFXVXH056	YVFXVXH071	YVFXVXH112	YVFXVXH140	
Capacity	Cooling kW	2.8	3.6	4.5	5.6	7.1	11.2	14.0	
	Heating kW	3.2	4.0	5.0	6.3	8.0	12.5	16.0	
	Air flow m ³ /h	800						2 040	
Noise level at 1 m	H / M / L dB(A)	48 / 46 / 44					50 / 48 / 46		
Electrical features	Power supply V/Ph/Hz	230 / 1 / 50 + N + E							
	Current A	0.3						1.8	
Dimensions and Weight	H x W x D mm	655 x 990 x 199						700 x 1 580 x 240	
	Weight kg	38.3						54	
Piping	Gas	3/8"	1/2"			5/8"			
	Liquid	1/4"	1/4"			3/8"			

Console



Model		YV5VXH022	YV5VXH028	YV5VXH036	YV5VXH056
Capacity	Cooling kW	2.2	2.8	3.6	5.0
	Heating kW	2.5	3.2	4.0	6.0
	Air flow m ³ /h	460		520	
Noise level at 1 m	H / M / L dB(A)	43 / 39 / 36			48 / 46 / 42
Electrical features	Power supply V/Ph/Hz	230 / 1 / 50 + N + E			
	Current A	0.44			
Dimensions and Weight	H x W x D mm	640 x 720 x 255			
	Weight kg	18			
Piping	Gas	1/2"			
	Liquid	1/4"			

VRF Technical features indoor units



Low and Medium Static Pressure Duct

Model			Low Static Pressure						Medium Static Pressure					
			YVDVXH022	YVDVXH028	YVDVXH036	YVDVXH045	YVDVXH056	YVDVXH071	YVEVXH056	YVEVXH071	YVEVXH080	YVEVXH090	YVEVXH112	YVEVXH114
Capacity	Cooling	kW	2.2	2.8	3.6	4.5	5.6	7.1	5.6	7.1	8.0	9.0	11.2	14.0
	Heating	kW	2.5	3.2	4.0	5.0	6.3	8.0	7.1	8.0	9.0	10.0	12.5	16.0
	Air flow	m³/h	400		500	850	1 250		1 200		1 900		2 100	
Noise level at 1 m	H / M / L	dB(A)	35 / 32 / 30			39 / 37 / 35			43 / 37 / 35				44 / 40 / 36	
External static pressure		Pa	0 ~ 20						50 ~ 96			80 ~ 120		
Electrical features	Power supply	V/Ph/Hz	230 / 1 / 50 + N + E											
	Current	A	0.27			0.38	0.55		1.1			2.2		
Dimensions and Weight	H x W x D	mm	220 / 610 / 500			220 / 1 105 / 500			300 / 1 180 / 743			270 / 1 135 / 742		
	Weight	kg	15		16	25	28		39			50		
Piping	Gas		3/8"		1/2"		5/8"		1/2"		5/8"			
	Liquid		1/4"		1/4"		3/8"		1/4"		3/8"			



High Static Pressure Duct

Model			YVGVXH056	YVGVXH071	YVGVXH080	YVGVXH090	YVGVXH112	YVGVXH140	YVGVXH226	YVGVXH280	
Capacity	Cooling	kW	5.6	7.1	8.0	9.0	11.2	14.0	22.6	28.0	
	Heating	kW	6.3	8.0	9.0	10.0	12.5	16.0	25.0	31.6	
	Air flow	m³/h	1 500		1 560		1 600	2 100	4 050		
Noise level at 1 m	H / L	dB(A)	42 / 40			45 / 40			54 / 49		
External static pressure		Pa	100								
Electrical features	Power supply	V/Ph/Hz	230 / 1 / 50 + N + E								
	Current	A	2.05			2.55			5.05		
Dimensions and Weight	H x W x D	mm	360 x 970 x 875			360 x 1 350 x 875			360 x 1 610 x 840		
	Weight	kg	48			62			92		
Piping	Gas		1/2"		5/8"			1"			
	Liquid		1/4"		3/8"			3/8"			



Fresh Air Unit

Model			YV4VXH140	YV4VXH226	YV4VXH280
Capacity	Cooling	kW	14.0	22.6	28.0
	Heating	kW	8.9	15.2	17.8
	Air flow	m³/h	1 600	2 300	2 800
Noise level at 1 m	High speed	dB(A)	48		
External static pressure		Pa	100		
Electrical features	Power supply	V/Ph/Hz	230 / 1 / 50 + N + E		
Dimensions and Weight	H x W x D	mm	360 x 1 350 x 875		360 x 1 750 x 840
	Weight	kg	62		120
Piping	Gas		5/8"		1"
	Liquid		3/8"		3/8"



Heat Recovery Ventilator

Model		YV6VXH015	YV6VXH026	YV6VXH080	YV6VXH100
Air flow	m³/h	150	200	800	1 000
External static pressure	Pa	50	60	80	100
Power supply	V/Ph/Hz	230 / 1 / 50 + N + E			
Dimensions and Weight	H x W x D	mm	276x940x685	276x940x686	387x1227x1115
	Weight	kg	28.7		85.5

Manufacturer reserves the rights to change specifications without prior notice.

Controllers & BMS

YR-H71 Wireless Controller

Elegant and slim design, LCD display, 4 Operation modes (Cool/Dry/Heat/Fan), Timer ON/OFF setting up to 24 Hr., Temperature control range, Fan speed selection. Standard for High Wall and Console, optional for Duct, Cassette and Floor Ceiling.



YR-E17 Wired Controller

Exclusive design, Big LCD display, 4 Operation modes (Cool/Dry/Heat/Fan), Temperature setting, Timer setting, Fan speed selection, Group controller up to 16 indoor units. Standard for Duct, Cassette and Floor Ceiling. **Optional** for High Wall and **NO optional** for Console.



YCZ-A003 Touch Screen Central Controller

Max. 128 indoor units control. Single or all query and control, such as ON/OFF/Mode setting/Temp setting/ Fan setting ect. Mode lock function, Blue light background, LCD display screen.



IGU05 Touch Screen Central Controller Translator

Translating protocol between home bus and RS485. Connecting with one outdoor (combination model also regard as one) system. Work with Touch Screen Central Controller



HCM-01 Central Controller With Monitor Software

Max. 128 indoor units control. Single or all query and control, such as ON/OFF/Mode setting/Temp setting/ Fan setting ect. Mode lock function, Blue light background, Software Monitoring on any PC.



IGU02 BacNet/IP Translator

Translating protocol between home bus and RS485. Connecting with one outdoor (combination model also regard as one) system. Work with Central Controller with Monitor Software and BacNet/IP Converter.



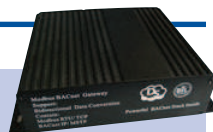
IGU06 LonWorks Translator

Translating protocol between home bus and RS485. Connecting with one outdoor (combination model also regard as one) system. Work with LonWorks Converter.



HCM-04 BacNet/IP Converter

Max. 60 indoor units control. Connect A/C system to BMS by BacNet/IP protocol.

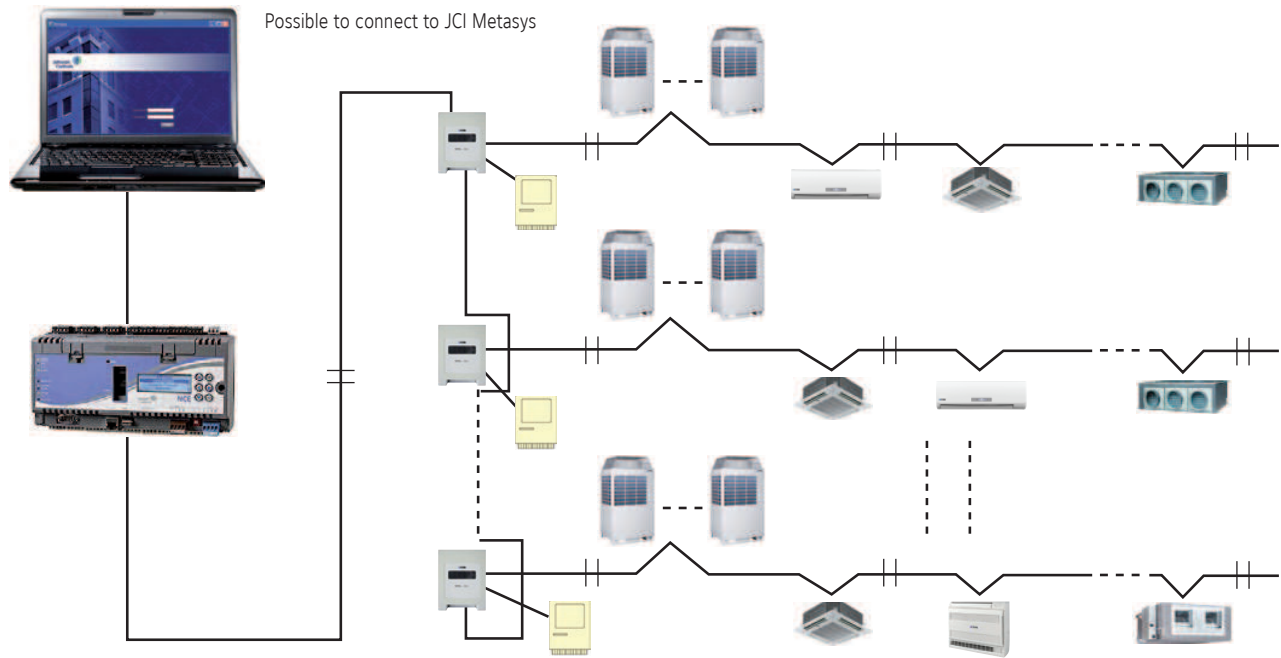


IGU07 LonWorks Converter

Max. 32 indoor units control. Connect A/C system to BMS by LONWORKS protocol.

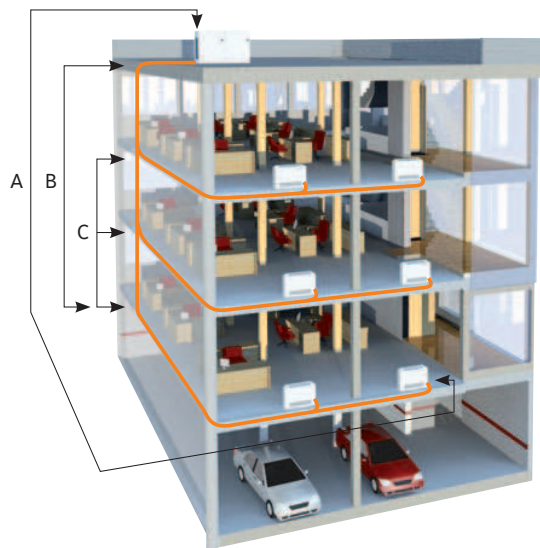


VRF System – System Diagram



Piping accessories

Model	System	Name	Function	Application
FQG-B335A	2 pipes	Indoor mainfold pipe	Refrigerant distribution	Total indoor units capacity < 33.5 kW
FQG-B506A	2 pipes	Indoor mainfold pipe	Refrigerant distribution	33.5 kW ≤ Total indoor units capacity < 50.6 kW
FQG-B730A	2 pipes	Indoor mainfold pipe	Refrigerant distribution	50.6 kW ≤ Total indoor units capacity < 72 kW
FQG-B1350A	2 pipes	Indoor mainfold pipe	Refrigerant distribution	73 kW ≤ Total indoor units capacity
HZG-20A	2 pipes	Outdoor branch pipe	Refrigerant gathering	2 module combinations
HZG-30A	2 pipes	Outdoor branch pipe	Refrigerant gathering	3 module combinations
HZG-20B	2 pipes HE	Outdoor HE branch pipe	Refrigerant gathering	2 module HE combinations
HZG-30B	2 pipes HE	Outdoor HE branch pipe	Refrigerant gathering	3 module HE combinations
FQG-R335A	3 pipes	Indoor mainfold pipe	Refrigerant distribution	Total indoor units capacity < 33.5 kW
FQG-R506A	3 pipes	Indoor mainfold pipe	Refrigerant distribution	33.5 kW ≤ Total indoor units capacity < 50.6 kW
FQG-R730A	3 pipes	Indoor mainfold pipe	Refrigerant distribution	50.6 kW ≤ Total indoor units capacity < 72 kW
FQG-R1350A	3 pipes	Indoor mainfold pipe	Refrigerant distribution	73 kW ≤ Total indoor units capacity
HZG-R20A	3 pipes	Outdoor branch pipe	Refrigerant gathering	2 module combinations
HZG-R30A	3 pipes	Outdoor branch pipe	Refrigerant gathering	3 module combinations



YORK VRF System

The YORK VRF system with DC Inverter Scroll is working like the VRF principle and offers you economical air-conditioning system for projects, which are requiring more capacity than the normal split and multi split solutions.

The lengths for the connecting tubes between the indoor and outdoor have been prolonged, which brings you more flexible solutions for complex air-conditioning projects.

A – Maximum single way pipe length: 175m

B – Maximum difference in height: 50m
(110m for HE outdoor units)

C – Maximum difference in height between 2 indoor units: 15m
(30m for HE outdoor units)